

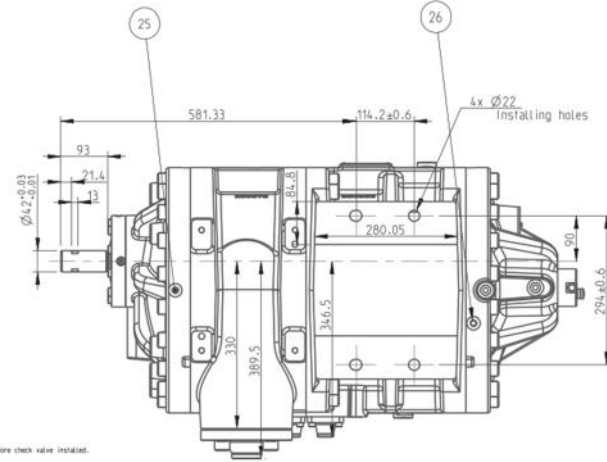
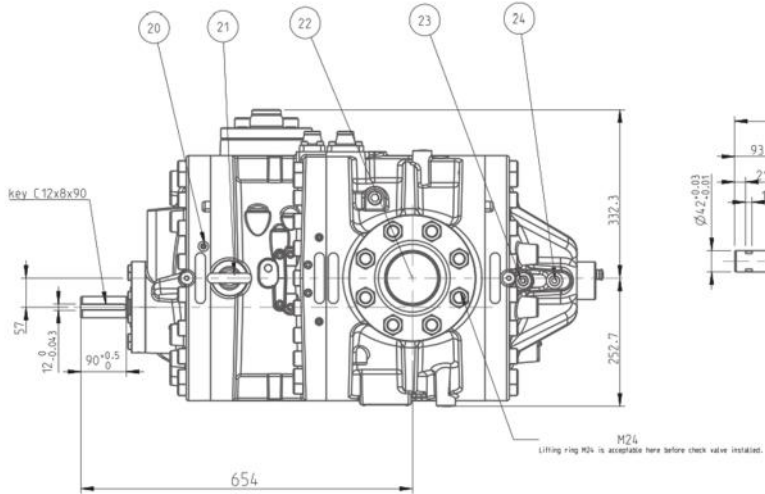
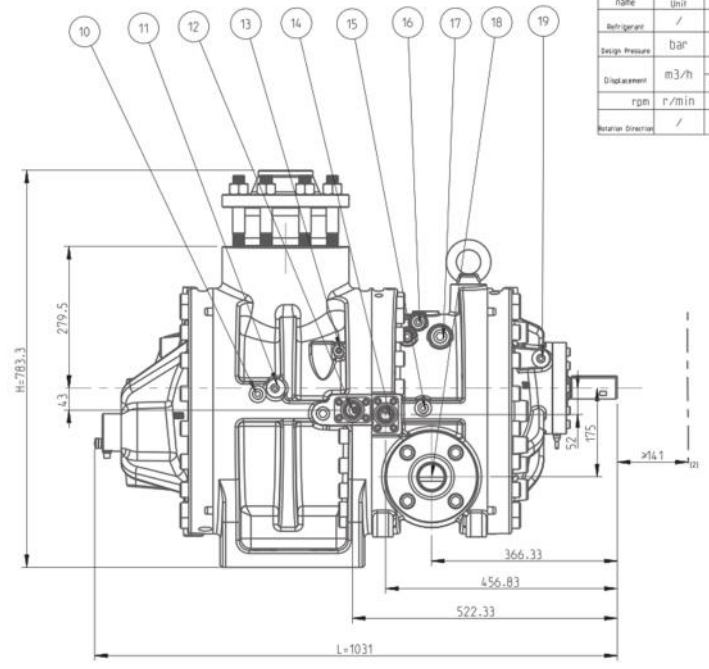
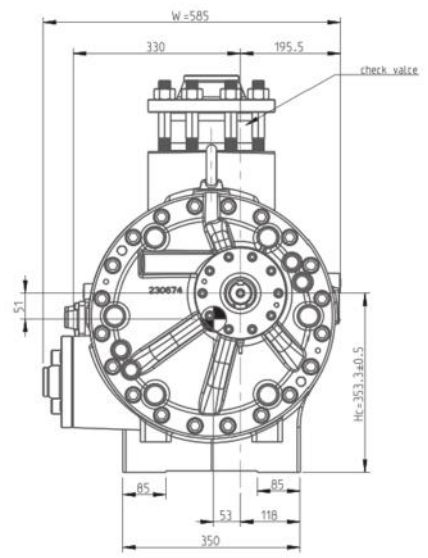
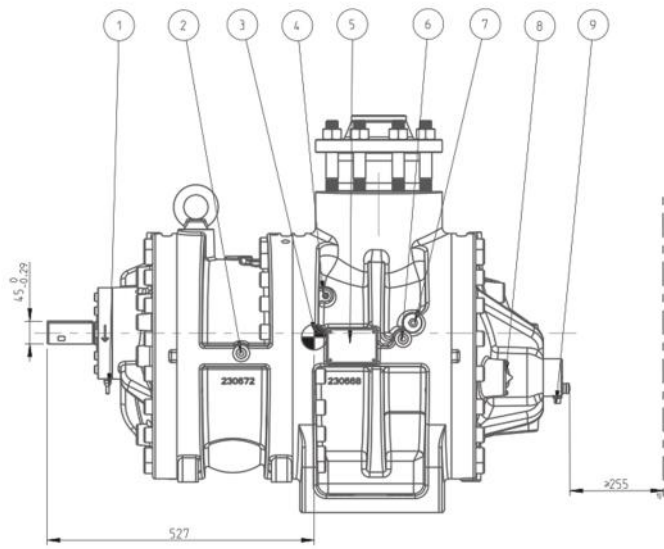
SRH12 high-pressure open-drive Compressor

srmtecgroup.com/products/compressors/srh-12/



SRH 12 Series	
Model	SRH-12M
Displacement @2960 rpm [m3/h]	160
Displacement @3600 rpm [m3/h]	190
Capacity Control	Step-less 10% - 100%
Max. rpm	6000
Vi Control	Manual adjustable
Vi adjustment range	2.0 – 4.8
Rotation, onto compressor shaft	Counterclockwise when looking at the motor shaft
Non-return valve suction side	built-in
Suction inlet diameter [mm]	DN 100
Discharge outlet diameter [mm]	DN 50
Eco connection [mm]	DN 25
Design pressure	63 bar
Length [mm]	1033
Width [mm]	566
Height [mm]	731
Weight [kg]	

Technical Data			
name	Unit	parameter	Remarks
Refrigerant	/	R717-R744	
Design Pressure	bar	63	
Displacement	m ³ /h	16.1	full-load
		228	full-load
rpm	r/min	1000-4200	
Rotation Direction	/	Clockwise	See from the shaft extension end



- Notes:
- 1.Oil Leakage of shaft Seal Ø6
 - 2.Bearing temp. test point of male rotor discharge side (only for prototype test) NPT1/2
 - 3.Center of Gravity
 - 4.Test point of pressure(connect with suction chamber) NPT1/8
 - 5.Name plate
 - 6.Bearing temp. test point of male rotor suction side (only for prototype test) NPT1/2
 - 7.Injection port of bearing lubrication NPT3/8
 - 8.Solenoid valve variable V1, S=27.
 - 9.Capacity sensor interface,non-explosion:5 pins M12 connector: explosion:PG9,Ø5-7mm.
 - 10.Bearing temp. test point of female rotor suction side (only for prototype test) NPT1/2
 - 11.injection port of bearing lubrication NPT3/8
 - 12.Rotor oil Injection port,W.N flange:Ø32x3(metric) or Ø33.7x2.6(imperial).
 - 13.Test point of pressure(connect with suction chamber) NPT1/8
 - 14.Economiser,if use,W.N flange:Ø32x3(metric) or Ø33.7x2.6(imperial); if not,don't connect pipeline
 - 15.Bearing temp. test point of female rotor discharge side (only for prototype test) NPT1/2
 - 16.injection port of bearing lubrication NPT3/8
 - 17.injection port of bearing lubrication NPT3/4
 - 18.Discharge port DN50/PN63,W.N flange:Ø57x3.5(metric) or Ø57x2.6(imperial)
 - 19.Oil injection port of shaft seal NPT3/8
 - 20.Test point of air discharge and pressure test NPT1/8
 - 21.lifting Ring M24
 - 22.Suction port DN100/PN63,W.N flange:Ø108x4(metric) or Ø114.3x5(imperial)
 - 23.Oil supply and return. Loading NPT1/2
 - 24.Oil supply and return. Unloading NPT1/2
 - 25.Oil release port NPT1/4
 - 26.Oil release port NPT1/4

comments:
 [1] if to remain maintenance space of capacity sensor.
 [2] if to remain maintenance space of shaft seal.
 [3] The parts with * must connect to pipe

SIGNED	DESIGNED	CHECKED	APPROVED	SRMDEC
DATE	SRH-12M			
MARK	MATERIAL	WEIGHT/KG	SCALE	Outline Drawing
		860.0	1:1.5	010229
SRM 1, PAGE 1				VER AB