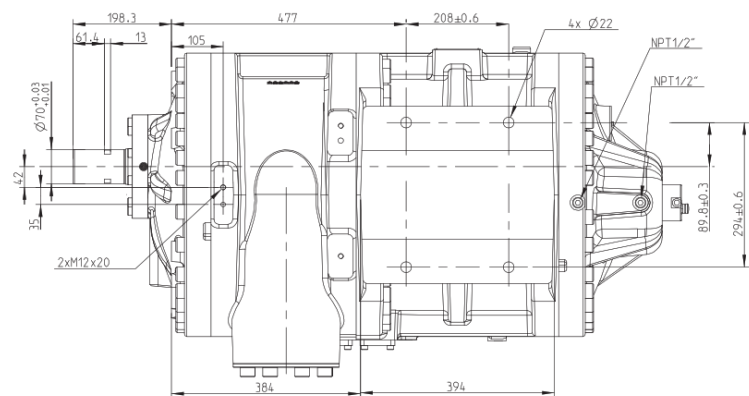
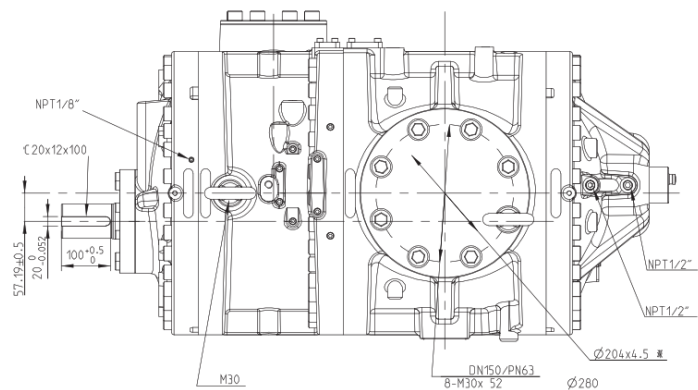
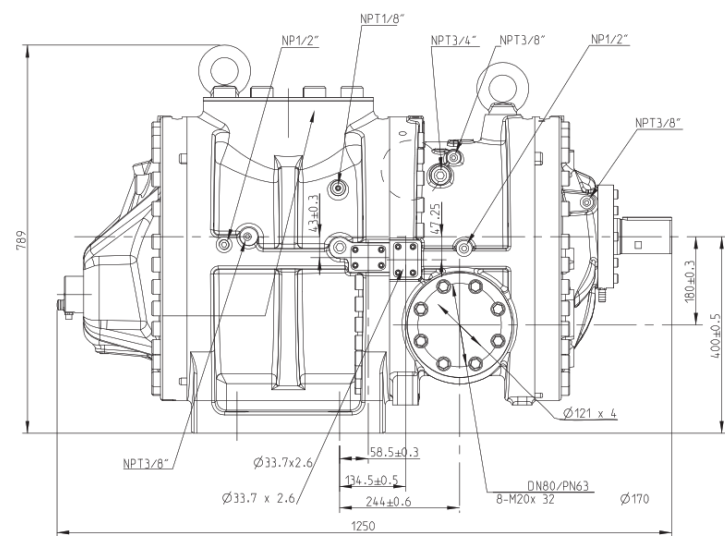
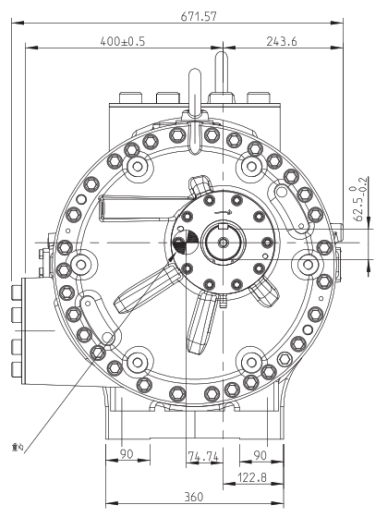
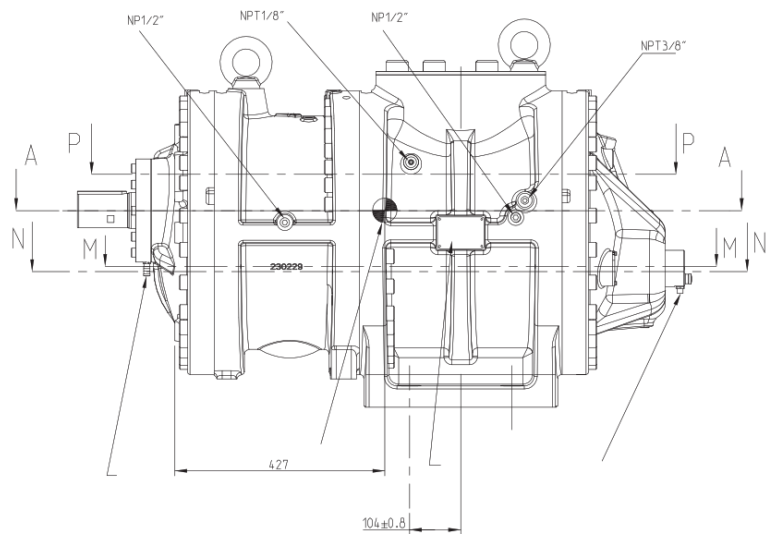


SRH18 high-pressure open-drive Compressor

srmtecgroup.com/products/compressors/srh-18/



SRH 18 Series	
Model	SRH-18M
Displacement @2960 rpm [m3/h]	480
Displacement @3600 rpm [m3/h]	575
Capacity Control	Step-less 10% - 100%
Max. rpm	6000
Vi Control	Manual adjustable
Vi adjustment range	2.0 – 4.8
Rotation, onto compressor shaft	Counterclockwise when looking at the motor shaft
Non-return valve suction side	built-in
Suction inlet diameter [mm]	DN 150
Discharge outlet diameter [mm]	DN 80
Eco connection [mm]	DN 25
Design pressure	63 bar
Length [mm]	1250
Width [mm]	571
Height [mm]	789
Weight [kg]	



				Snowkey	
				SRH-18M	
				1260	1:5
				010082(1/4)	
				0	