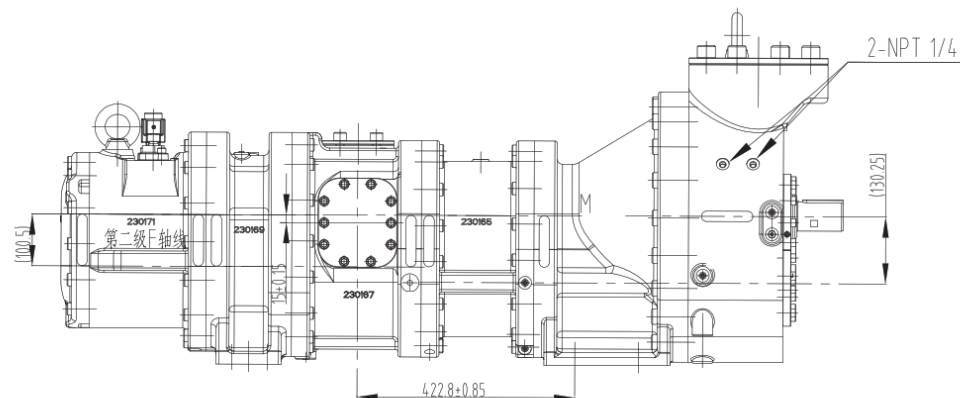
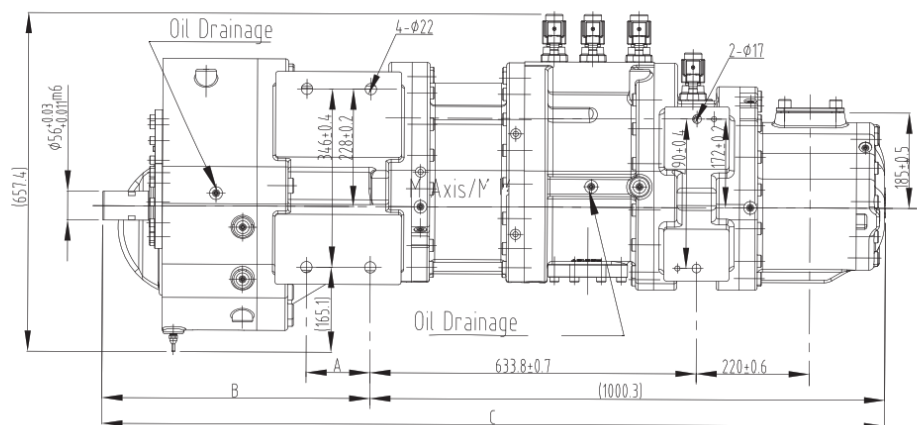


SRM1612 double-stage open Compressor

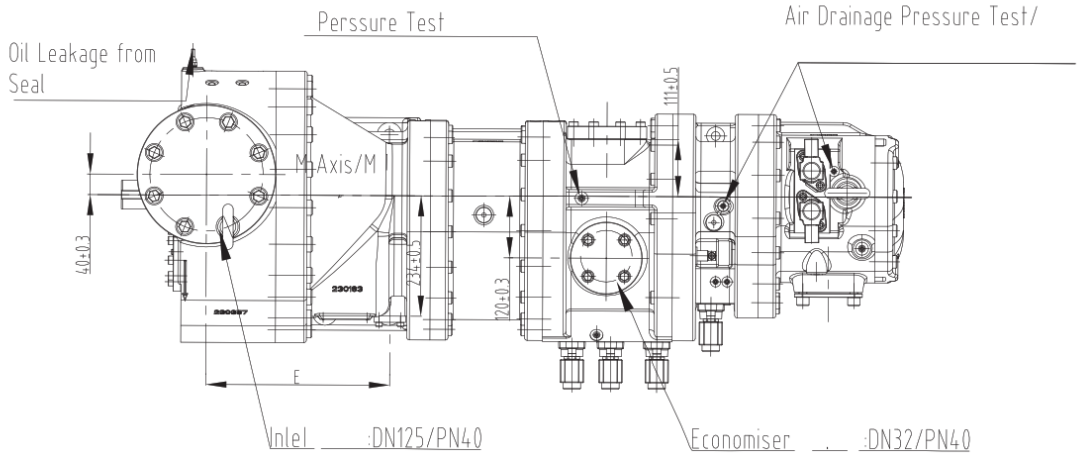
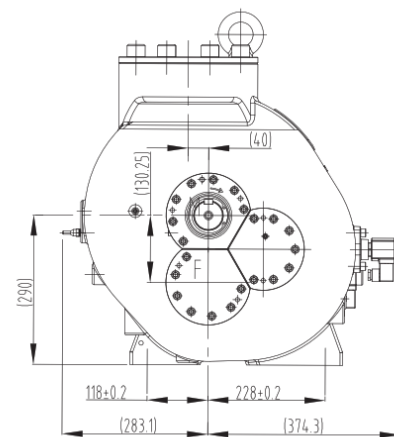
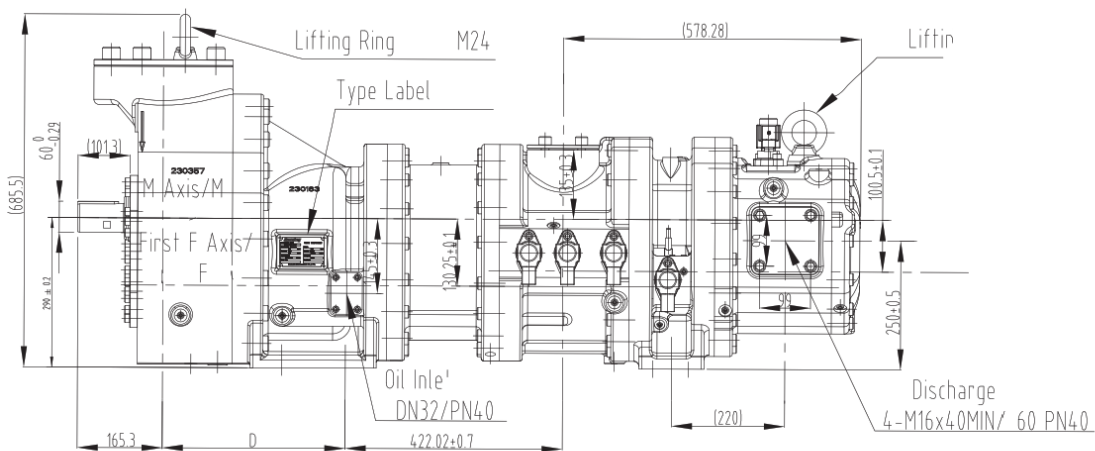
srmtecgroup.com/products/compressors/srm-1612/



| | | |
|---------------------------------|-----------------------------|------------|
| SRM 1612 Series | | |
| Model | SRM-1612MS | SRM-1612LS |
| Displacement @2960 rpm [m3/h] | | |
| Displacement @3600 rpm [m3/h] | | |
| Capacity Control | Step-less 10% - 100% | |
| Max. rpm | | |
| Vi Control | Manual adjustable / Auto Vi | |
| Vi adjustment range | 2.0/3.5/5.0 | |
| Rotation, onto compressor shaft | | |
| Non-return valve suction side | built-in | |
| Suction inlet diameter [mm] | | |
| Discharge outlet diameter [mm] | | |
| Eco connection [mm] | | |
| Design pressure | 28 bar | |
| Length [mm] | | |
| Width [mm] | | |
| Height [mm] | | |
| Weight [kg] | | |



A1-A1



| | 1612MS | 1612LS | 1612LL |
|---|---------|---------|--------|
| A | 119 | 124 | 130 |
| B | 512.75 | 520.45 | 530 |
| C | 1513.05 | 1520.75 | 1530.3 |
| D | 350.15 | 355.15 | 360.2 |
| E | 352.15 | 357.15 | 362.15 |