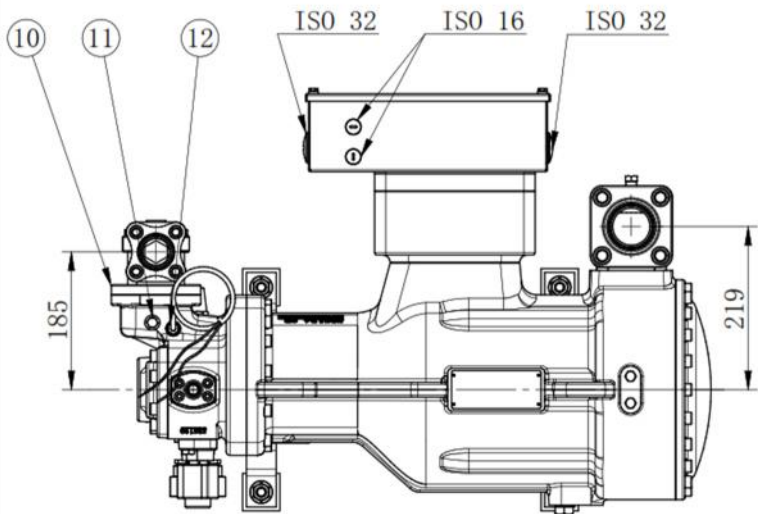
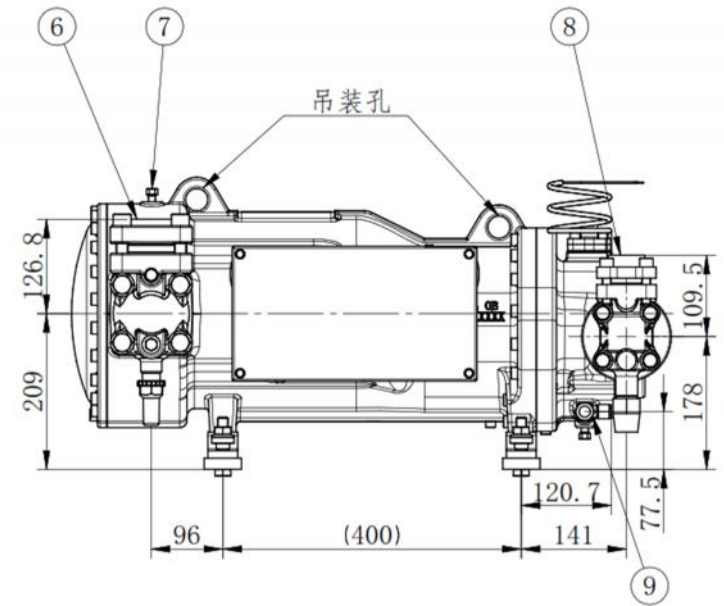
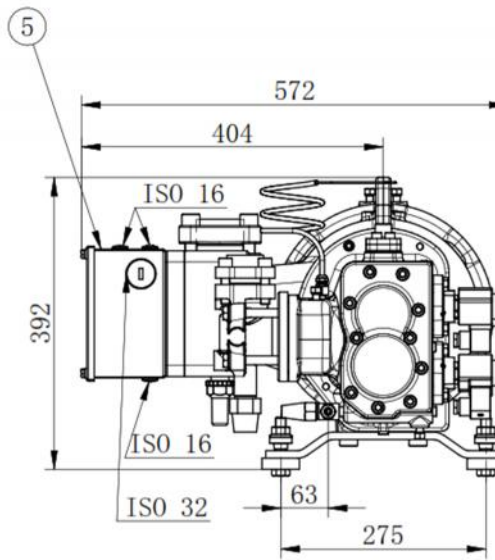
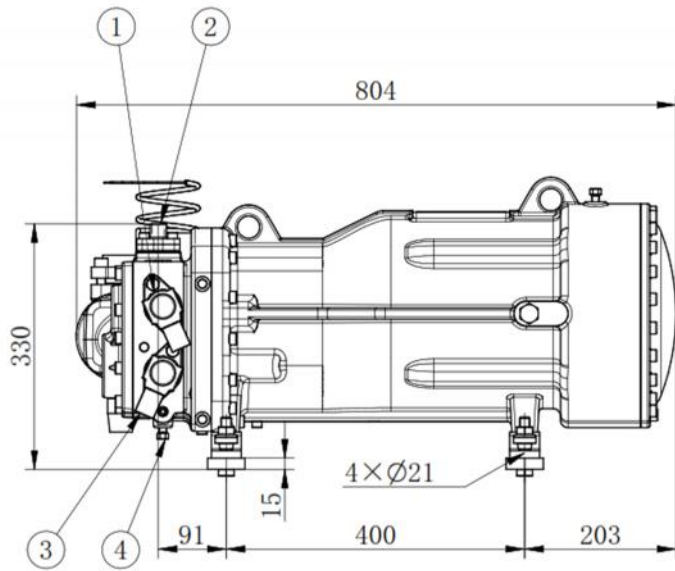


SRS08 single-stage hermetic Compressor

srmtecgroup.com/products/compressors/srs-08/



SRS08 Series			
Model	SRS-08SH	SRS-08MH	SRS-08LH
Displacement @2960 rpm [m3/h]	85	100	120
Displacement @3600 rpm [m3/h]	100	119	142
Capacity Control	Steps 50%-75%-100%		
Max. rpm	3600		
E-motor (kW)	22	27	33
Vi Control	Fixed		
Vi adjustment range	4,0	4,4	4,8
Rotation, onto compressor shaft	counter-clockwise, looking at the compressor input shaft		
Non-return valve discharge side	Yes		
Suction inlet diameter [mm]	OD 42,4; DN32		
Discharge outlet diameter [mm]	OD 60,3; DN50		
Eco connection [mm]	OD 22; DN15		
Design pressure	28 bar		
Length [mm]	804	877	973
Width [mm]	380	370	370
Height [mm]	374	374	374
Weight [kg]	190	200	210



KEY:

- 1、 75% load solenoid valve
- 2、 Economiser Ø16
- 3、 50% load Solenoid valve
- 4、 Oil pressure 1/8"NPT
- 5、 Electrical box
- 6、 Suction shut-off valve Ø58
- 7、 Low pressure gas 1/8"NPT
- 8、 Discharge shut-off valve Ø42(1-5/8")
- 9、 Oil cooler connection Ø10
- 10、 Non return valve
- 11、 High pressure gas 1/8"NPT
- 12、 Discharge temperature sensor 1/8"NPT PTC140°C