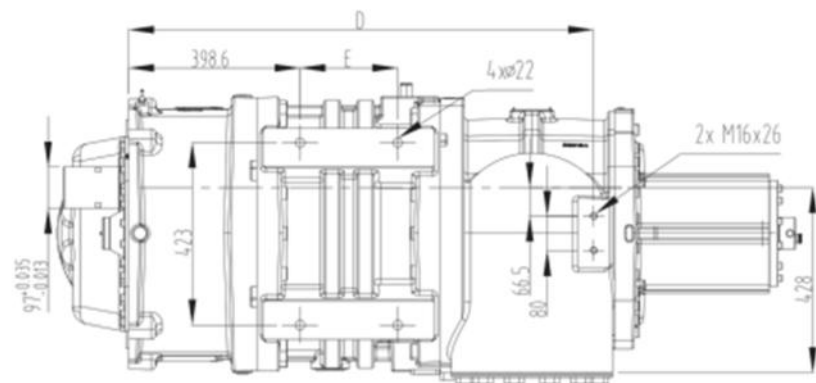
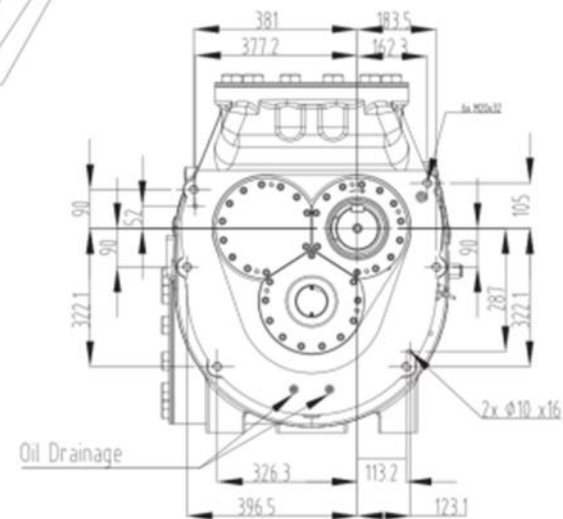
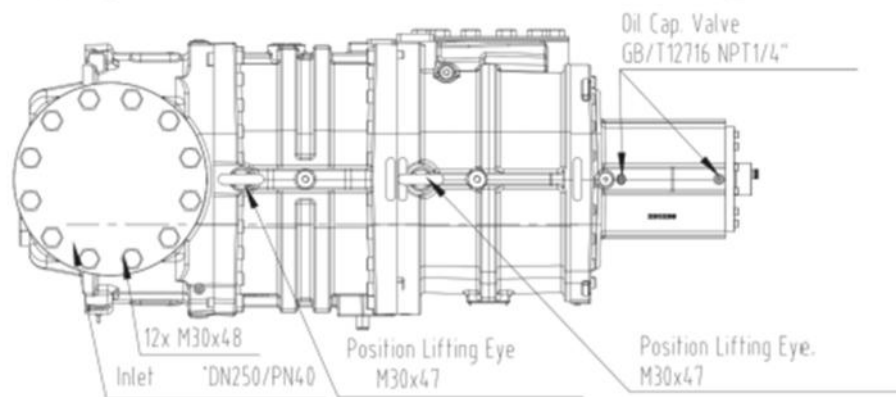
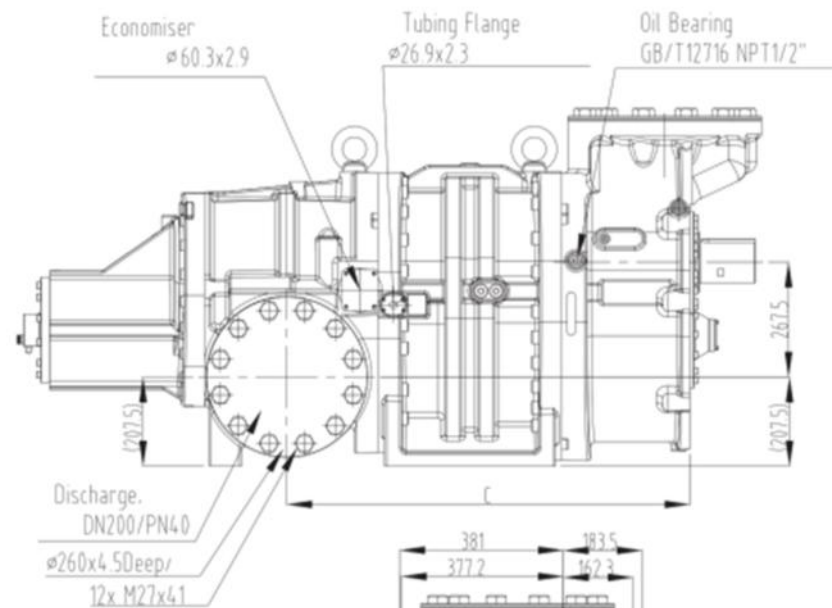
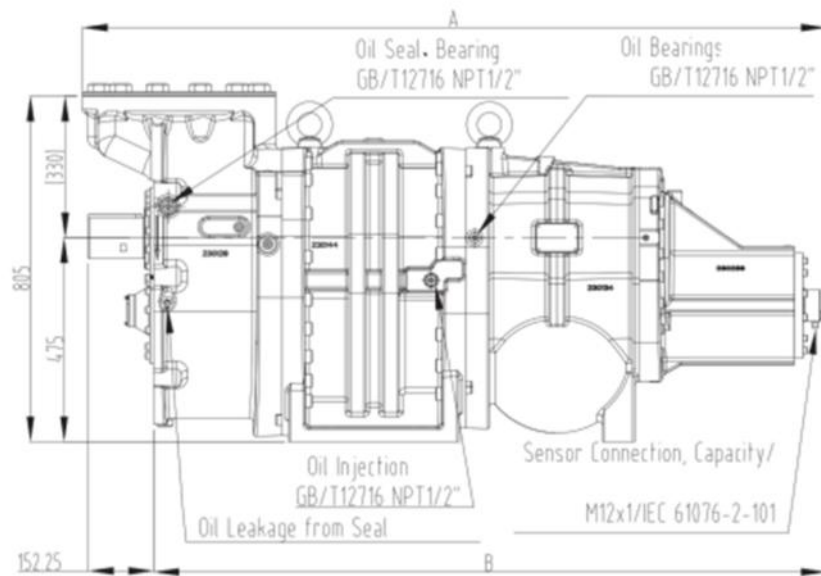


## SRM26 single-stage open Compressor

[srmtecgroup.com/products/compressors/srm-26/](http://srmtecgroup.com/products/compressors/srm-26/)



SRM26 Series				
Model	SRM-26S	SRM-26M	SRM-26L	SRM-26LL
Displacement @2960 rpm [m3/h]	1665	2081	2482	2944
Displacement @3600 rpm [m3/h]	1995	2494	2975	3529
Capacity Control	Step-less 10% - 100%			
Max. rpm	4200			
Vi Control	Manual adjustable / Auto Vi			
Vi adjustment range	2.0/3.5/5.0			
Rotation, onto compressor shaft	counter-clockwise			
Non-return valve suction side	built-in			
Suction inlet diameter [mm]	250	250	250	250
Discharge outlet diameter [mm]	200	200	200	200
Eco connection [mm]	-	-	-	-
Design pressure	28 bar			
Length [mm]	1565	1637	1706	1785
Width [mm]	645	645	645	645
Height [mm]	800	800	800	800
Weight [kg]	1680	1800	1920	-



	26L	26M	26S
A	1731.50	1641	1505.35
B	1565.10	1474	1338.95
C	938.30	869.40	797.80
D	1081.60	1012.70	941.10
E	227.20	158.20	106.60