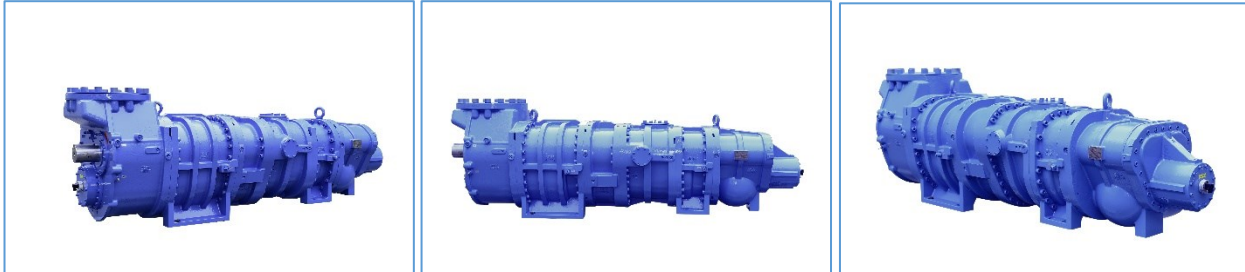
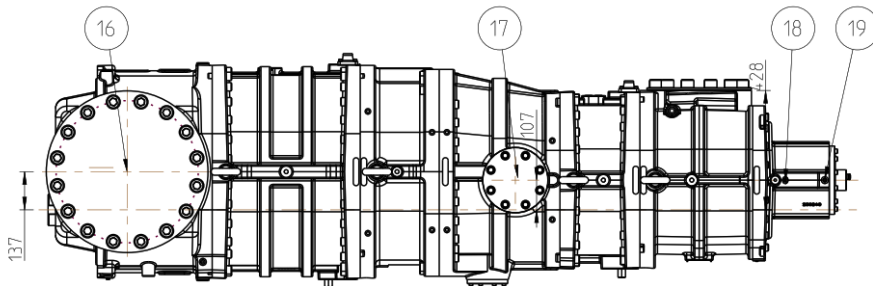
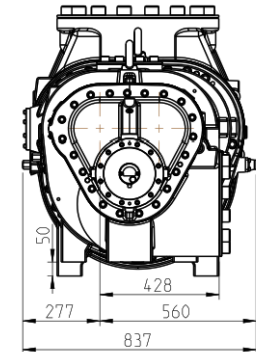
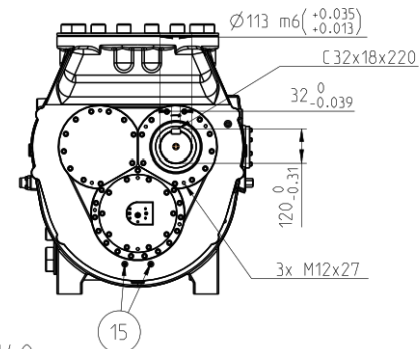
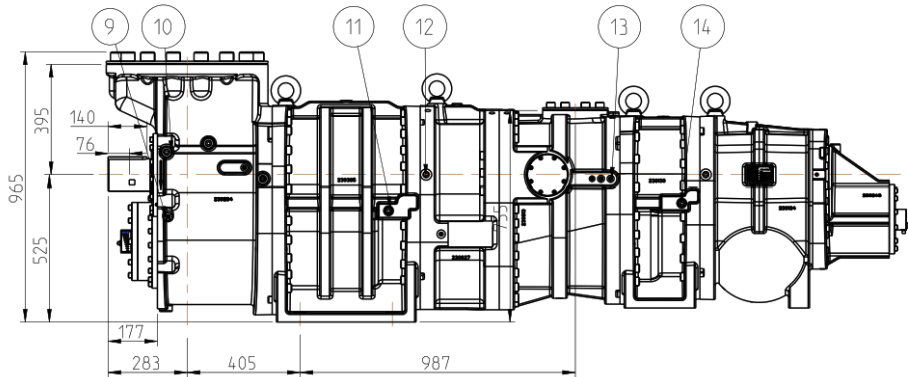
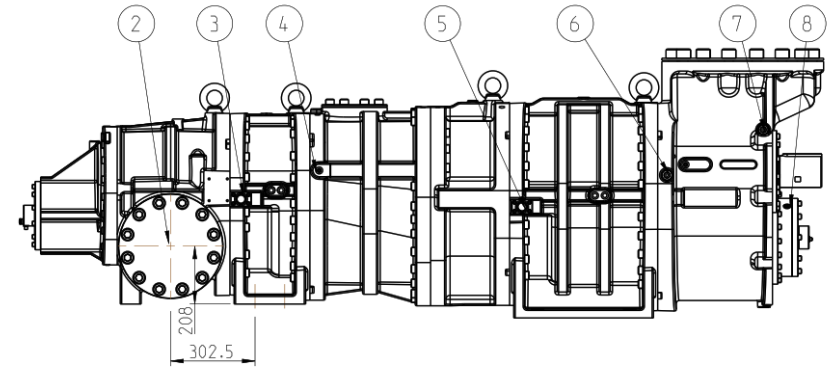
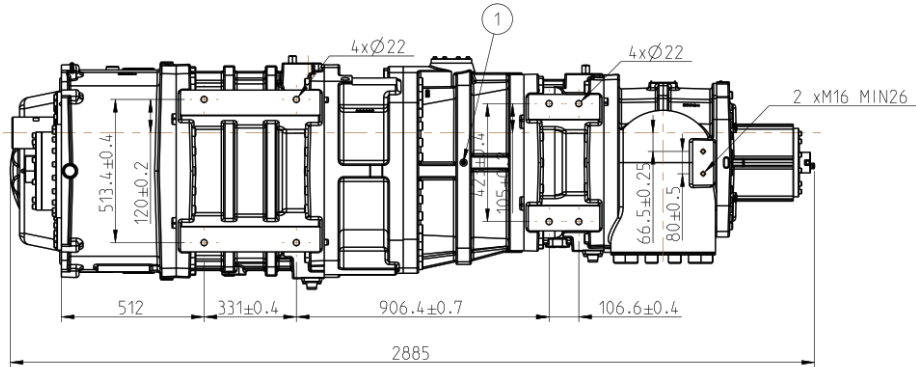


SRM3426 double-stage open Compressor

srmtecgroup.com/products/compressors/srm-3426/



SRM 3426 Series			
Model	SRM-3426MS	SRM-3426LS	SRM-3426LL
Displacement @2960 rpm [m3/h]	4280 / 1659	5084 / 1659	5084 / 2478
Displacement @3600 rpm [m3/h]	5205 / 2017	6151 / 2017	6151 / 2998
Capacity Control	Step-less 10% - 100%		
Max. rpm	3600		
Vi Control	Manual / Auto / Fixed		
Vi adjustment range	2.0/3.5/5.0		
Rotation, onto compressor shaft	Counterclockwise when looking at the motor shaft		
Non-return valve suction side	Optional		
Suction inlet diameter [mm]			DN 350
Discharge outlet diameter [mm]			DN 200
Eco connection [mm]			DN 100
Design pressure	28 bar		
Length [mm]			2884
Width [mm]			837
Height [mm]			964
Weight [kg]			



- 1, NPT 1/4"
- 2, DN200/PN40
- 3, DN25/PN40(Ø33.7)
- 4, NPT 1/4"
- 5, DN25/PN40(Ø33.7)
- 6, NPT 1/2"
- 7, NPT 1/4"
- 8, NPT 1/4"
- 9,
- 10, NPT 1/2"
- 11, NPT 1/2"
- 12, NPT 1/2"
- 13, NPT 1/4"
- 14, NPT 1/2"
- 15, NPT 1/8"
- 16, DN350/PN40
- 17, DN100/PN40
- 18, NPT 1/4"
- 19, NPT 1/4"

				SRMTEC	
				SRM-3426LS	
				4300	(1/1)
				AA	