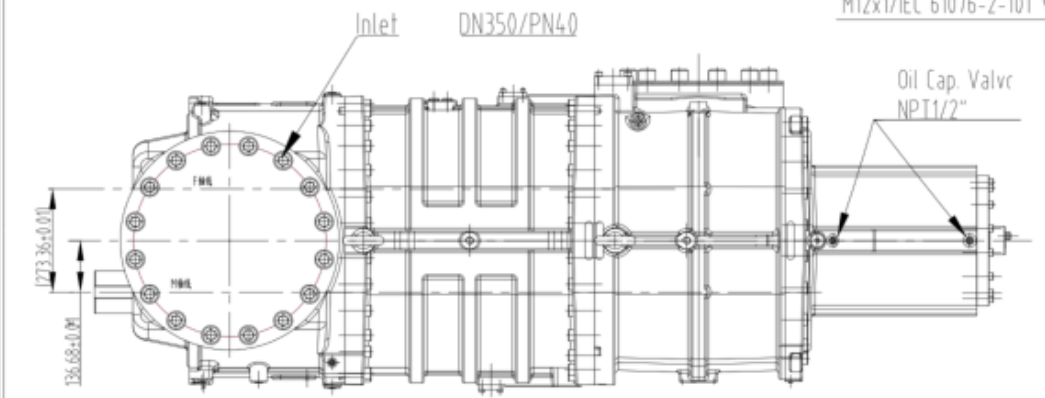
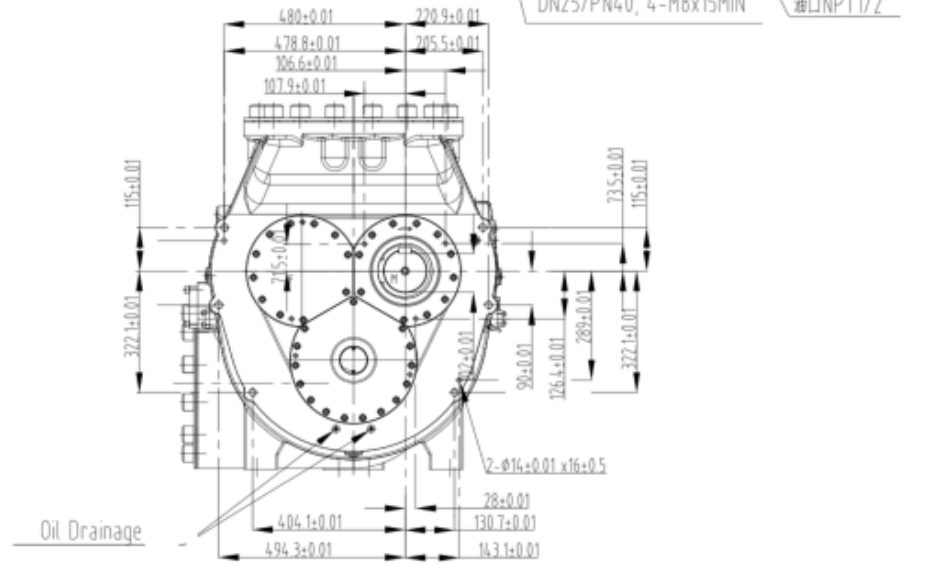
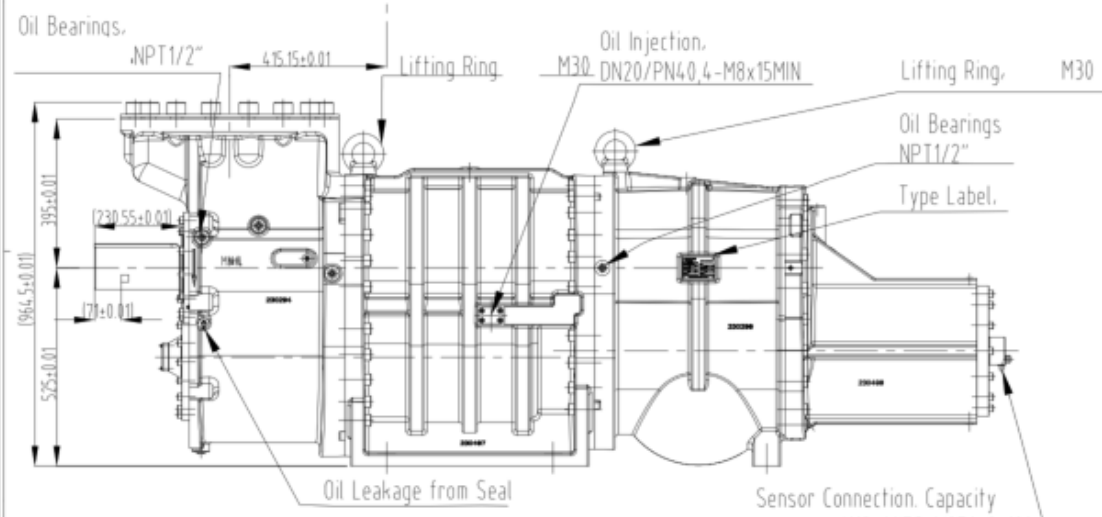
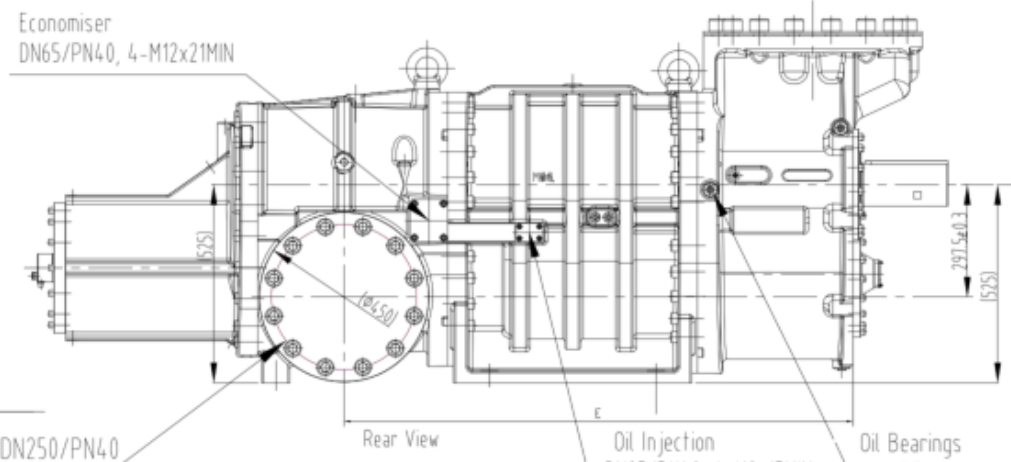
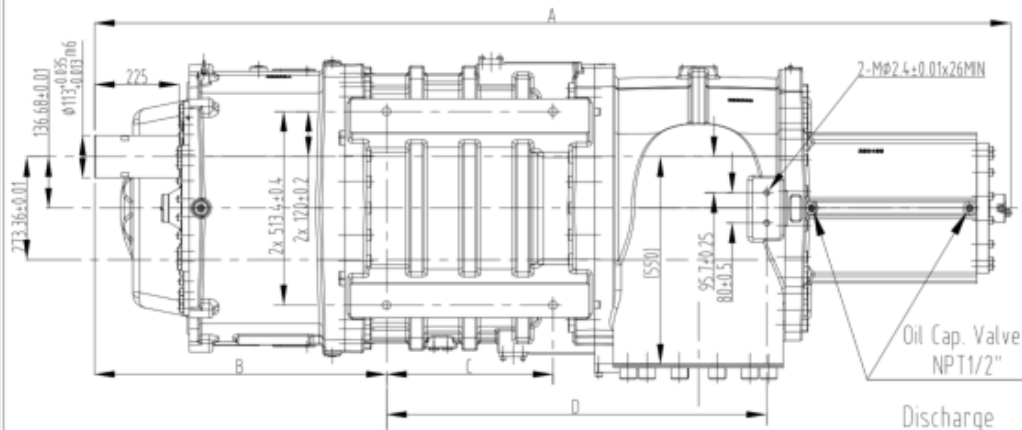


SRM34 single-stage open Compressor

srmtecgroup.com/products/compressors/srm-34/



SRM34 Series				
Model	SRM-34S	SRM-34M	SRM-34L	SRM-34LL
Displacement @2960 rpm [m3/h]	3360	4280	5084	5938
Displacement @3600 rpm [m3/h]	4027	5130	6094	7118
Capacity Control	Step-less 10% - 100%			
Max. rpm	3600			
Vi Control	Manual adjustable / Auto Vi			
Vi adjustment range	2.0/3.5/5.0			
Rotation, onto compressor shaft	counter-clockwise			
Non-return valve suction side	built-in			
Suction inlet diameter [mm]	350	350	350	350
Discharge outlet diameter [mm]	250	250	250	250
Eco connection [mm]	-	-	-	-
Design pressure	28 bar			
Length [mm]	1583	1765	1925	2094
Width [mm]	828	828	828	828
Height [mm]	1026	1026	1026	1026
Weight [kg]	2970	3190	3421	3738



	34LL	34L	34M	34S
A	2427.80	2212.60	2072.80	1920
B	773.60	763.50	763.64	753.60
C	441.50	331	245.90	170.70
D	1007.30	886.80	801.70	716.50
E	1348.25	1217.60	1132.60	1037.30