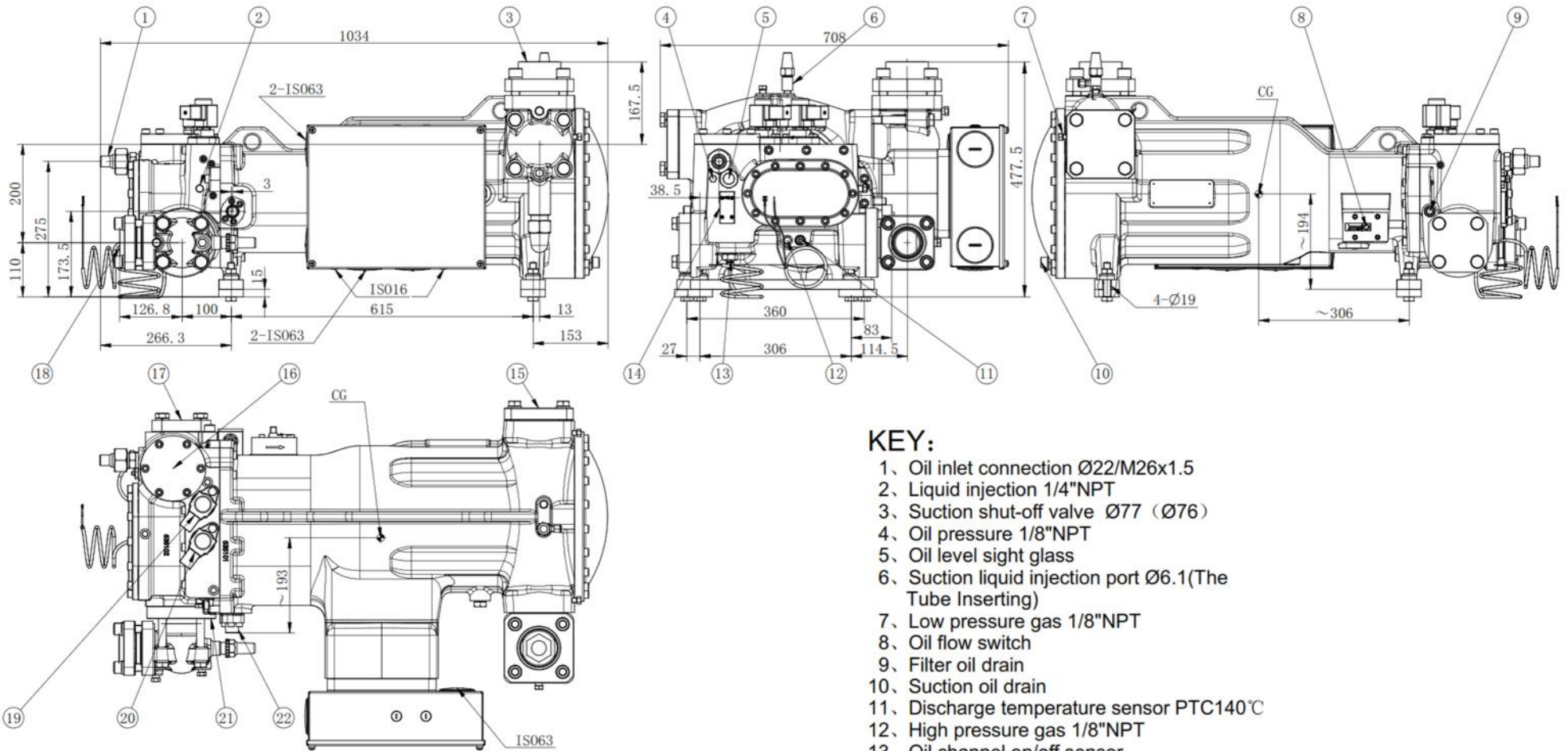


# SRS12 single-stage hermetic Compressor

[srmtecgroup.com/products/compressors/srs-12/](http://srmtecgroup.com/products/compressors/srs-12/)

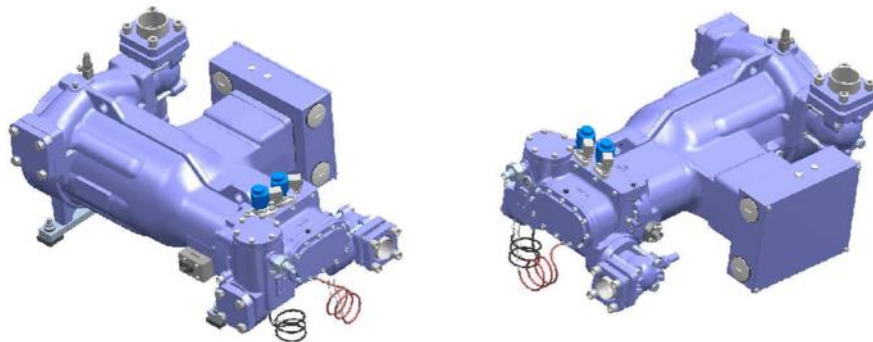


SRS12 Series			
Model	SRS-12SH	SRS-12MH	SRS-12LH
Displacement @2960 rpm [m3/h]	210	230	250
Displacement @3600 rpm [m3/h]	250	275	300
Capacity Control	Steps 50%-75%-100%		
Max. rpm	3600		
E-motor (kW)	60	75	90
Vi Control	Fixed		
Vi adjustment range	4,3		
Rotation, onto compressor shaft	counter-clockwise, looking at the compressor input shaft		
Non-return valve discharge side	Yes		
Suction inlet diameter [mm]	OD 76; DN65		
Discharge outlet diameter [mm]	OD 60,3; DN50		
Eco connection [mm]	OD 26; DN20		
Design pressure	28 bar		
Length [mm]	836	877	914
Width [mm]	370	370	370
Height [mm]	374	374	374
Weight [kg]	365	370	375



### KEY:

1. Oil inlet connection Ø22/M26x1.5
2. Liquid injection 1/4"NPT
3. Suction shut-off valve Ø77 (Ø76)
4. Oil pressure 1/8"NPT
5. Oil level sight glass
6. Suction liquid injection port Ø6.1(The Tube Inserting)
7. Low pressure gas 1/8"NPT
8. Oil flow switch
9. Filter oil drain
10. Suction oil drain
11. Discharge temperature sensor PTC140°C
12. High pressure gas 1/8"NPT
13. Oil channel on/off sensor
14. Coverplate
15. Alternative inlet port
16. Built-in oil filter
17. Alternative outlet port
18. Discharge shut-off valve Ø58(Ø57)
19. 75% load solenoid valve
20. 50% load solenoid valve
21. Non return valve
22. ECO inlet port Ø21.6/



**SRMTEC**

C r  
:SRS-12

MSI229

03