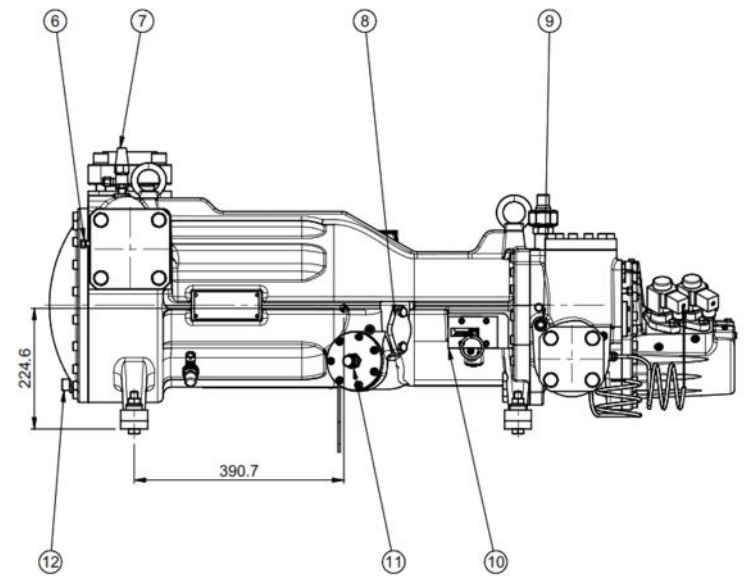
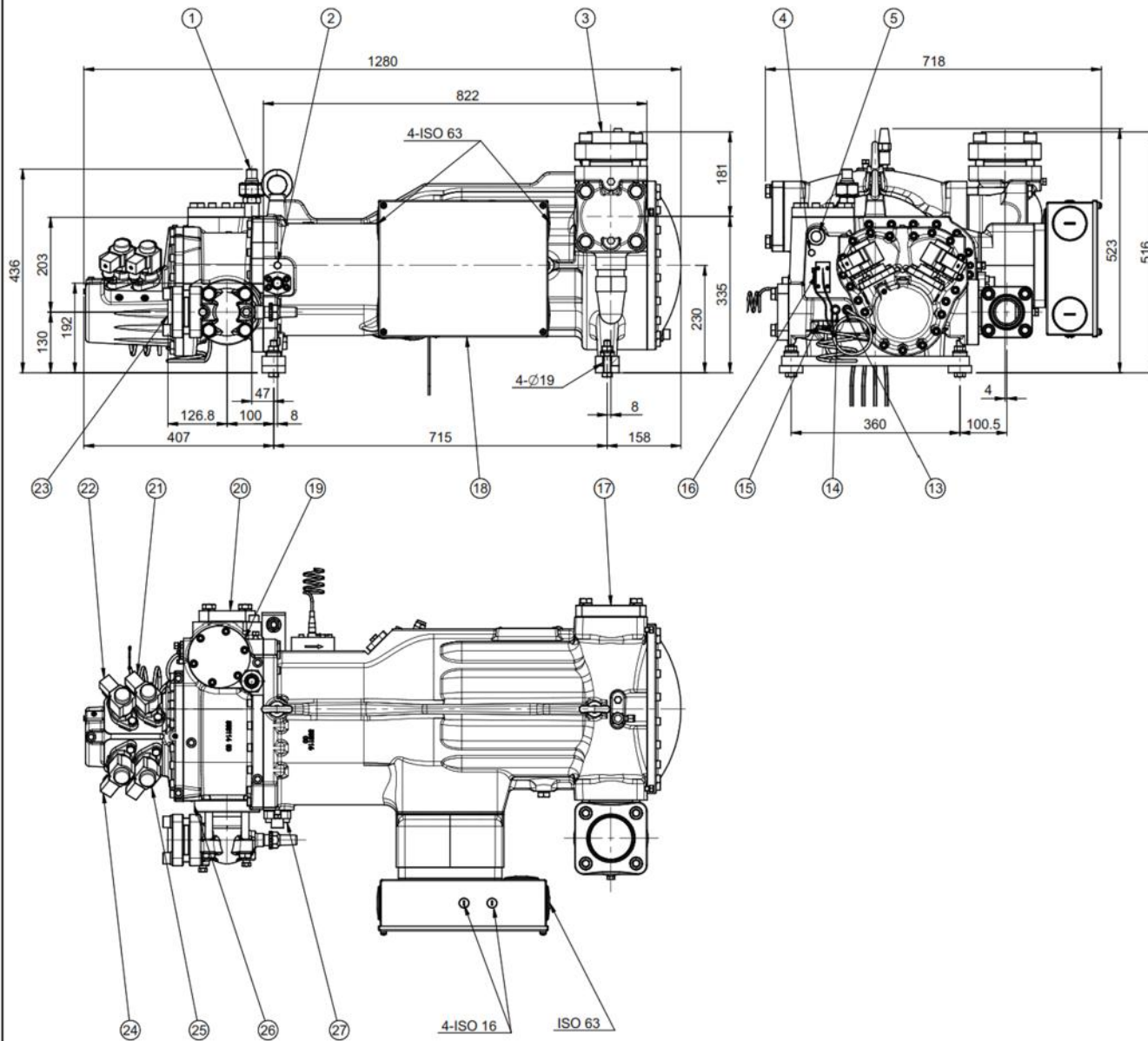


# SRS14 single-stage hermetic Compressor

[srmtecgroupp.com/products/compressors/srs-14/](http://srmtecgroupp.com/products/compressors/srs-14/)



SRS14 Series			
Model	SRS-14SM	SRS-14MM	SRS-14LM
Displacement @2960 rpm [m3/h]	310	340	370
Displacement @3600 rpm [m3/h]	377	414	450
Capacity Control	Steps 25%- 50%- 75%- 100%		
Max. rpm	4200		
E-motor (kW)	90		107
Vi adjustment range	3,3 - 4,6	3,3-4,3	3,3-4,2
Vi control	Manual/Auto		
Rotation, onto compressor shaft	counter-clockwise, looking at the compressor input shaft		
Non-return valve discharge side	Yes		
Suction inlet diameter [mm]	OD 89; DN80		
Discharge outlet diameter [mm]	OD60,3; DN50		
Eco connection [mm]	OD26; DN20		
Design pressure	28 bar		
Length [mm]	1280		
Width [mm]	718		
Height [mm]	523		
Weight [kg]	505	510	515



#### KEY:

- 1、 Oil inlet connection Ø22/M26x1.5
- 2、 Liquid injection 1/4"NPT
- 3、 Suction shut-off valve Ø92.5 (3-5/8")
- 4、 Oil pressure 1/8"NPT
- 5、 Oil level sight glass
- 6、 Low pressure gas 1/8"NPT
- 7、 Suction liquid injection port Ø6
- 8、 Coverplate/Vi solenoid valve (optional)
- 9、 Filter oil drain
- 10、 Oil flow switch
- 11、 Vi manual adjustment/  
Vi automatic adjustment (optional)
- 12、 Suction oil drain
- 13、 Discharge temperature sensor PTC140°C
- 14、 High pressure gas 1/8"NPT
- 15、 Oil channel on/off sensor
- 16、 Coverplate/Diff.pressure switch (optional)
- 17、 Alternative inlet port
- 18、 Electrical box
- 19、 Built-in oil filter
- 20、 Alternative outlet port
- 21、 Load solenoid valve
- 22、 25% load solenoid valve
- 23、 Discharge shut-off valve Ø67(2-5/8")
- 24、 50% load solenoid valve
- 25、 75% load solenoid valve
- 26、 Non return valve
- 27、 ECO inlet port Ø21.6

**SRMTEC**

SRS-14  
SRS-14S/M/L

MSI231

03